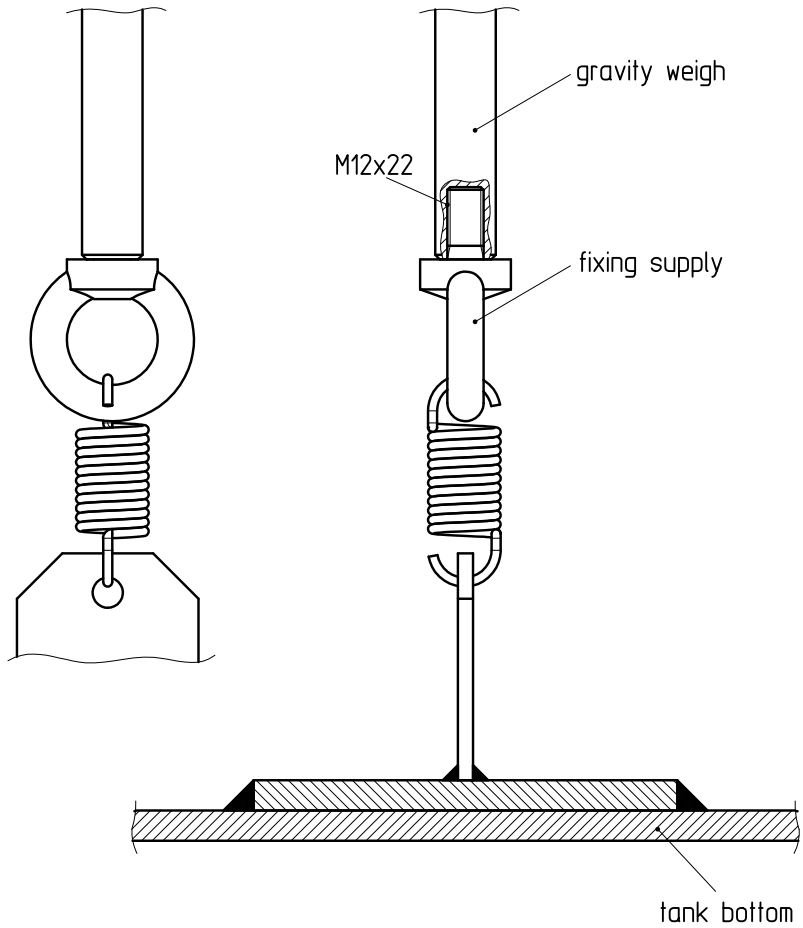


Level measurement with Guided Microwave (TDR) for liquids

Detail A



Application	
Cargo	X
HFO storage	X
HFO settling	X
HFO service	X
MDO	X
Fresh water	X
Potable water	
Black water	
Grey water	
Salt water ballast	X
Salt water draft	
Sludge	
Lub oil	X

Diese Zeichnung bleibt Eigentum der Firma VEGA-Grieshaber KG. This drawing remains property of VEGA-Grieshaber KG. It may be neither copied nor informed to third persons without the prior written approval of VEGA-Grieshaber KG. (§ 2 Abs.1 Ziff.7 UrHG vom 09.09.1965)

This drawing remains property of VEGA-Grieshaber KG. It may be neither copied nor informed to third persons without the prior written approval of VEGA-Grieshaber KG. (§ 2 Abs.1 Ziff.7 UrHG vom 09.09.1965)

Passmaß/tol.dimens.	Abmaß/allowance	Änderung / changing			Datum / Date	gezeichnet / freigegeben drawn / checked	
	Freimaßtoleranz general tolerance ISO 2768-mK	gezeichnet drawn freigegeben checked	Datum/Date 16.01.2006 25.01.2006	Name/Name Oberfäll Oberfäll	Benennung VEGAFLEX61 at standard ship application	Description VEGAFLEX61 at standard ship application	
Werkstoff / Material		Maßstab Scale 1:5	 VEGA Grieshaber KG Postfach 1142 77757 Schiltach Germany		Art.Nr. / Art.No. MB2612-A	Änd.-Zust. / Vers. -	
		Originalformat size of origin A4			Zchngs.-Nr. / Drawing No. MB2612-A	Var.Fam.2: Ersatz f. / replacement f.	
					Teil ähnl. / sim. part	Arb.Anw. / work.instr.	